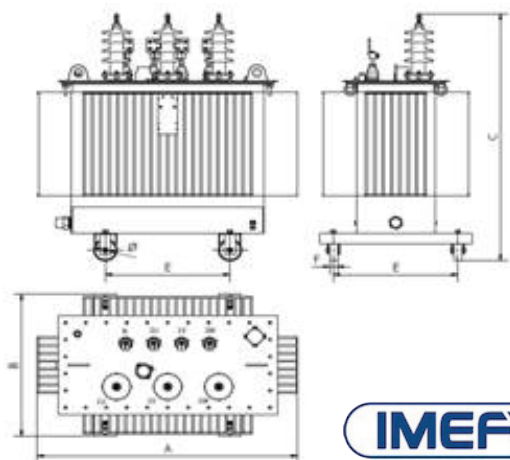


# OIL IMMERSED TRANSFORMERS 1

50 to 2500 kVA (Al/Al)

Insulation level ≤ 24 kV and 36 kV

Losses: BkCo (24 kV) / Ak36Ao36 (36 kV)



STANDARDS	
In accordance with standards:	
• IEC 60076-1 // • EN 50464	
COMMON ELECTRICAL CHARACTERISTICS (*)	
Frequency	50 Hz
Vector group	Dyn5 or Dyn11
Primary voltage (at no load)	6 to 36 kV
HV tapping range (off-load)	3 to 7 positions (2,5%)
Secondary voltage (at no load)	380 to 440 V (Ph-Ph)    220 to 254 V (Ph/N)
Ambient temperature (Max.)	40 °C
Altitude above sea level	≤ 1000 m
Routine test (1)	Included
Type test (2)	Optional (quotable)
Special test (3)	Optional (quotable)

## ELECTRICAL CHARACTERISTICS FOR INSULATION LEVEL ≤ 24 kV(\*)

Rated Power kVA	50	100	160	250	400	630	800	1000	1250	1600	2000	2500	
Rated primary voltage (dual voltage on request)	6 to 24 kV									10 to 24 kV			
Rated insulation level	7,2 kV BIL(60/20 kV); 12 kV BIL(75/28 kV); 17,5 kV BIL(95/38 kV) or 24 kV BIL(125/50 kV)												
Losses W	no load losses	125	210	300	425	610	860	930	1100	1350	1700	2100	2500
	load losses at 75 °C	875	1475	2000	2750	3850	5400	7000	9000	11000	14000	18000	22000
Rated impedance voltage %	4	4	4	4	4	4 or 6	6	6	6	6	6	6	
No-load current 100%Vn	3,5	2,5	2,3	2	1,8	1,6	1,4	1,3	1,2	1,1	1	0,9	
Noise level dB(A)	Sound power LwA	47	49	52	55	58	60	61	63	64	66	68	71
	Sound pressure LpA	41	43	46	49	51	53	54	55	56	58	60	63
Approximate Dimensions (mm)	A	1050	1110	1210	1290	1480	1630	1830	1920	2140	2260	2410	2520
	B	680	700	730	820	820	890	910	1010	1160	1230	1330	1430
	C	1260	1320	1380	1400	1500	1550	1680	1700	1810	1880	1990	2100
	E	520	520	520	670	670	670	670	670	820	820	820	1070
	F	40	40	40	40	40	40	40	40	70	70	70	70
	∅	125	125	125	125	125	125	125	125	200	200	200	200
	Oil weight (Kg)	160	170	240	270	370	490	640	690	930	1120	1340	1570
	Total weight (Kg)	580	770	930	1160	1600	2150	2620	2930	3650	4460	5210	6350

## ELECTRICAL CHARACTERISTICS FOR INSULATION LEVEL 36 kV(\*)

Rated Power kVA	50	100	160	250	400	630	800	1000	1250	1600	2000	2500	
Rated primary voltage (dual voltage on request)	25 to 36 kV												
Rated insulation level	36 kV BIL(170/70 kV)												
Losses W	no load losses	160	270	390	550	790	1100	1300	1450	1750	2200	2700	3200
	load losses at 75 °C	1050	1650	2150	3000	4150	5500	7000	8900	11500	14500	18000	22500
Rated impedance voltage %	4,5	4,5	4,5	4,5	4,5	4,5	6	6	6	6	6	6	
No-load current 100%Vn	3,8	3	2,5	2,4	2,2	1,8	1,6	1,5	1,4	1,3	1,2	1	
Noise level dB(A)	Sound power LwA	50	54	57	60	63	65	66	67	68	69	71	73
	Sound pressure LpA	44	48	51	54	56	58	59	59	60	61	63	65
Approximate Dimensions (mm)	A	1060	1100	1180	1250	1450	1630	1830	1920	2100	2190	2400	2500
	B	700	690	730	820	820	840	910	1010	1160	1210	1330	1430
	C	1310	1370	1430	1550	1650	1700	1810	1850	1930	1960	2110	2200
	E	520	520	520	670	670	670	670	670	820	820	820	1070
	F	40	40	40	40	40	40	40	40	70	70	70	70
	∅	125	125	125	125	125	125	125	125	200	200	200	200
	Oil weight (Kg)	170	175	230	270	360	490	640	690	930	1060	1360	1580
	Total weight (Kg)	580	680	930	1090	1520	2000	2560	2860	3540	4210	5110	6320

(\*) OTHER CHARACTERISTICS: Consult Imefy.

NOTE Dimensions may change without prior notice. IMEFY applies a policy of continuous development of its products and reserves the right to make changes in the specifications and technical characteristics without prior notice. The present technical data sheet has no other objective than to give information without any compromise. For further information please contact IMEFY.

Droogbloem 31  
NL-3068 AW Rotterdam  
PO Box: 81005  
NL-3009 GA Rotterdam

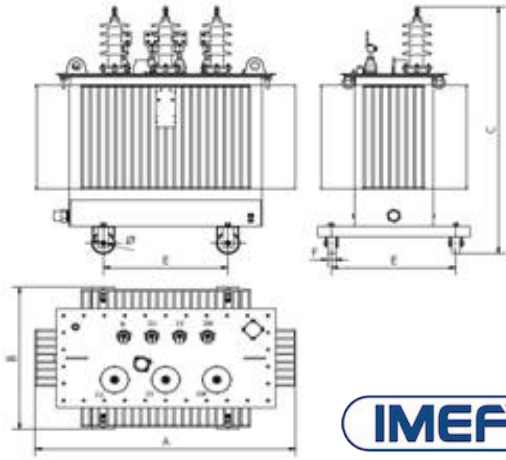
Phone: +31 (0)10 286 2000  
Fax: +31 (0)10 286 2005  
E-mail: sales@wesemann.eu  
Website: www.wesemann.eu



# OIL IMMERSED TRANSFORMERS 2

50 to 2500 kVA (Al/Al)  
Insulation level ≤ 24 kV and 36 kV

Losses: CkDo (24 kV) / Bk36Bo36 (36 kV)



STANDARDS	
In accordance with standards:	
• IEC 60076-1 // • EN 50464	
COMMON ELECTRICAL CHARACTERISTICS (*)	
Frequency	50 Hz
Vector group	Dyn5 or Dyn11
Primary voltage (at no load)	6 to 36 kV
HV tapping range (off-load)	3 to 7 positions (2,5%)
Secondary voltage (at no load)	380 to 440 V (Ph-Ph)    220 to 254 V (Ph/N)
Ambient temperature (Max.)	40 °C
Altitude above sea level	≤ 1000 m
Routine test (1)	Included
Type test (2)	Optional (quotable)
Special test (3)	Optional (quotable)

## ELECTRICAL CHARACTERISTICS FOR INSULATION LEVEL ≤ 24 kV(\*)

Rated Power kVA	50	100	160	250	400	630	800	1000	1250	1600	2000	2500	
Rated primary voltage (dual voltage on request)	6 to 24 kV									10 to 24 kV			
Rated insulation level	7,2 kV BIL(60/20 kV); 12 kV BIL(75/28 kV); 17,5 kV BIL(95/38 kV) or 24 kV BIL(125/50 kV)												
Losses W	no load losses	145	260	375	530	750	1030	1250	1400	1750	2200	2700	3200
	load losses at 75 °C	1100	1750	2350	3250	4600	6500	8100	10500	13500	17000	20200	26500
Rated impedance voltage %	4	4	4	4	4	4 or 6	6	6	6	6	6	6	
No-load current 100%Vn	3,5	2,5	2,3	2	1,8	1,6	1,4	1,3	1,2	1,1	1	0,9	
Noise level dB(A)	Sound power LwA	50	54	57	60	63	65	68	68	70	71	73	76
	Sound pressure LpA	44	48	51	54	56	58	61	61	62	63	65	68
Approximate Dimensions (mm)	A	1020	1100	1170	1340	1460	1580	1750	1880	2090	2220	2420	2580
	B	670	700	750	820	820	830	930	1020	1210	1270	1390	1510
	C	1260	1330	1380	1410	1510	1600	1610	1690	1710	1830	1890	1980
	E	520	520	520	670	670	670	670	670	820	820	820	1070
	F	40	40	40	40	40	40	40	40	70	70	70	70
	Q	125	125	125	125	125	125	125	125	200	200	200	200
	Oil weight (Kg)	160	195	240	280	380	485	560	680	830	1020	1220	1490
Total weight (Kg)	570	720	910	1150	1560	2050	2260	2640	3230	4060	4870	6170	

## ELECTRICAL CHARACTERISTICS FOR INSULATION LEVEL 36 kV(\*)

Rated Power kVA	50	100	160	250	400	630	800	1000	1250	1600	2000	2500	
Rated primary voltage (dual voltage on request)	25 to 36 kV												
Rated insulation level	36 kV BIL(170/70 kV)												
Losses W	no load losses	190	320	460	650	930	1300	1550	1700	2100	2600	3150	3800
	load losses at 75 °C	1250	1950	2550	3500	4900	6650	8500	10500	13500	17000	20200	26500
Rated impedance voltage %	4,5	4,5	4,5	4,5	4,5	4,5	6	6	6	6	6	6	
No-load current 100%Vn	3,8	3	2,5	2,4	2,2	1,8	1,6	1,5	1,4	1,3	1,2	1	
Noise level dB(A)	Sound power LwA	52	56	59	62	65	67	68	68	70	71	73	76
	Sound pressure LpA	46	50	53	56	58	60	61	61	62	63	65	68
Approximate Dimensions (mm)	A	1070	1080	1150	1330	1470	1590	1760	1890	2090	2220	2420	2580
	B	680	680	750	820	820	850	950	1050	1210	1270	1390	1510
	C	1380	1450	1480	1530	1590	1720	1730	1810	1830	1950	2010	2100
	E	520	520	520	670	670	670	670	670	820	820	820	1070
	F	40	40	40	40	40	40	40	40	70	70	70	70
	Q	125	125	125	125	125	125	125	125	200	200	200	200
	Oil weight (Kg)	180	185	235	270	365	480	550	665	830	1020	1220	1490
Total weight (Kg)	595	670	860	1080	1490	1950	2220	2630	3240	4070	4880	6180	

(\*) OTHER CHARACTERISTICS: Consult Imefy.  
NOTE Dimensions may change without prior notice. IMEFY applies a policy of continuous development of its products and reserves the right to make changes in the specifications and technical characteristics without prior notice. The present technical data sheet has no other objective than to give information without any compromise. For further information please contact IMEFY.

Droogbloem 31  
NL-3068 AW Rotterdam  
PO Box: 81005  
NL-3009 GA Rotterdam

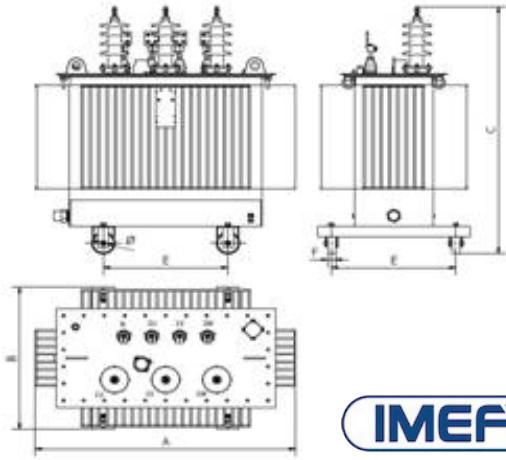
Phone: +31 (0)10 286 2000  
Fax: +31 (0)10 286 2005  
E-mail: sales@wesemann.eu  
Website: www.wesemann.eu



# OIL IMMERSED TRANSFORMERS 3

50 to 2500 kVA (Al/Al)  
Insulation level ≤ 24 kV and 36 kV

Losses: CkEo (24 kV) / Bk36Co36 (36 kV)



STANDARDS	
In accordance with standards:	
• IEC 60076-1 // • EN 50464	
COMMON ELECTRICAL CHARACTERISTICS (*)	
Frequency	50 Hz
Vector group	Dyn5 or Dyn11
Primary voltage (at no load)	6 to 36 kV
HV tapping range (off-load)	3 to 7 positions (2,5%)
Secondary voltage (at no load)	380 to 440 V (Ph-Ph)    220 to 254 V (Ph/N)
Ambient temperature (Max.)	40 °C
Altitude above sea level	≤ 1000 m
Routine test (1)	Included
Type test (2)	Optional (quotable)
Special test (3)	Optional (quotable)

## ELECTRICAL CHARACTERISTICS FOR INSULATION LEVEL ≤ 24 kV(\*)

Rated Power kVA	50	100	160	250	400	630	800	1000	1250	1600	2000	2500	
Rated primary voltage (dual voltage on request)	6 to 24 kV									10 to 24 kV			
Rated insulation level	7,2 kV BIL(60/20 kV); 12 kV BIL(75/28 kV); 17,5 kV BIL(95/38 kV) or 24 kV BIL(125/50 kV)												
Losses W	no load losses	190	320	460	650	930	1300	1550	1700	2130	2600	3100	38000
	load losses at 75 °C	1100	1750	2350	3250	4600	6500	8100	10500	13500	17000	20200	26500
Rated impedance voltage %	4	4	4	4	4	4 or 6	6	6	6	6	6	6	
No-load current 100%Vn	3,5	2,5	2,3	2	1,8	1,6	1,4	1,3	1,2	1,1	1	0,9	
Noise level dB(A)	Sound power LwA	52	56	59	62	65	67	68	68	70	71	73	76
	Sound pressure LpA	46	50	53	56	58	60	61	61	62	63	65	68
Approximate Dimensions (mm)	A	1000	1080	1160	1290	1430	1590	1750	1880	2090	2220	2420	2580
	B	670	680	750	820	820	860	930	1020	1210	1270	1390	1510
	C	1260	1330	1360	1410	1470	1600	1610	1690	1710	1830	1890	1980
	E	520	520	520	670	670	670	670	670	820	820	820	1070
	F	40	40	40	40	40	40	40	40	70	70	70	70
	Q	125	125	125	125	125	125	125	125	200	200	200	200
	Oil weight (Kg)	160	185	240	270	355	480	565	680	830	1020	1220	1490
Total weight (Kg)	540	670	850	1060	1460	1960	2250	2620	3230	4060	4870	6150	

## ELECTRICAL CHARACTERISTICS FOR INSULATION LEVEL 36 kV(\*)

Rated Power kVA	50	100	160	250	400	630	800	1000	1250	1600	2000	2500	
Rated primary voltage (dual voltage on request)	25 to 36 kV												
Rated insulation level	36 kV BIL(170/70 kV)												
Losses W	no load losses	230	380	520	780	1120	1450	1700	2000	2360	2800	3300	4100
	load losses at 75 °C	1250	1950	2550	3500	4900	6650	8500	10500	13500	17000	20200	26500
Rated impedance voltage %	4,5	4,5	4,5	4,5	4,5	4,5	6	6	6	6	6	6	
No-load current 100%Vn	3,8	3	2,5	2,4	2,2	1,8	1,6	1,5	1,4	1,3	1,2	1	
Noise level dB(A)	Sound power LwA	52	56	59	62	65	67	68	68	70	71	73	76
	Sound pressure LpA	46	50	53	56	58	60	61	61	62	63	65	68
Approximate Dimensions (mm)	A	1070	1100	1140	1300	1430	1590	1760	1890	2090	2220	2420	2580
	B	680	680	730	820	820	860	950	1050	1210	1270	1390	1510
	C	1380	1410	1480	1530	1590	1720	1730	1810	1830	1950	2010	2100
	E	520	520	520	670	670	670	670	670	820	820	820	1070
	F	40	40	40	40	40	40	40	40	70	70	70	70
	Q	125	125	125	125	125	125	125	125	200	200	200	200
	Oil weight (Kg)	170	175	230	270	365	480	550	665	830	1020	1220	1490
Total weight (Kg)	580	630	830	1050	1450	1940	2210	2630	3240	4070	4880	6180	

(\*) OTHER CHARACTERISTICS: Consult Imefy.  
NOTE Dimensions may change without prior notice. IMEFY applies a policy of continuous development of its products and reserves the right to make changes in the specifications and technical characteristics without prior notice. The present technical data sheet has no other objective than to give information without any compromise. For further information please contact IMEFY.

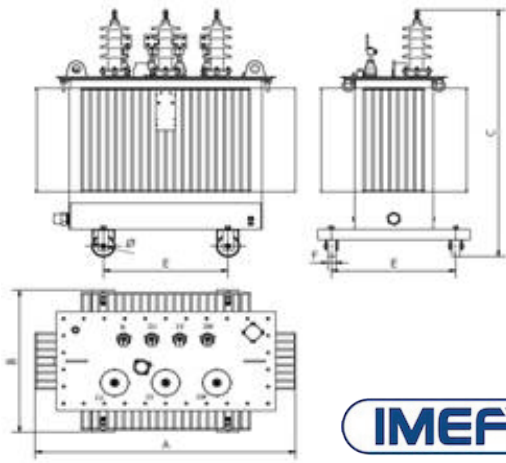


# OIL IMMERSED TRANSFORMERS 4

50 to 2500 kVA (Cu/Cu)

Insulation level ≤ 24 kV and 36 kV

Losses: CkEo (24 kV) / Bk36Co36 (36 kV)



STANDARDS	
In accordance with standards:	
• IEC 60076-1 // • EN 50464	
COMMON ELECTRICAL CHARACTERISTICS (*)	
Frequency	50 Hz
Vector group	Dyn5 or Dyn11
Primary voltage (at no load)	6 to 36 kV
HV tapping range (off-load)	3 to 7 positions (2,5%)
Secondary voltage (at no load)	380 to 440 V (Ph-Ph)    220 to 254 V (Ph/N)
Ambient temperature (Max.)	40 °C
Altitude above sea level	≤ 1000 m
Routine test (1)	Included
Type test (2)	Optional (quotable)
Special test (3)	Optional (quotable)

## ELECTRICAL CHARACTERISTICS FOR INSULATION LEVEL ≤ 24 kV(\*)

Rated Power kVA	50	100	160	250	400	630	800	1000	1250	1600	2000	2500	
Rated primary voltage (dual voltage on request)	6 to 24 kV												
Rated insulation level	7,2 kV BIL(60/20 kV); 12 kV BIL(75/28 kV); 17,5 kV BIL(95/38 kV) or 24 kV BIL(125/50 kV)												
Losses W	no load losses	190	320	460	650	930	1300	1550	1700	2130	2600	3100	38000
	load losses at 75 °C	1100	1750	2350	3250	4600	6500	8100	10500	13500	17000	20200	26500
Rated impedance voltage %	4	4	4	4	4	4	6	6	6	6	6	6	
No-load current 100%Vn	3,5	2,5	2,3	2	1,8	1,6	1,4	1,3	1,2	1,1	1	0,9	
Noise level dB(A)	Sound power LwA	52	56	59	62	65	67	68	68	70	71	73	76
	Sound pressure LpA	46	50	53	56	58	60	61	61	62	63	65	68
Approximate Dimensions (mm)	A	910	1050	1190	1220	1350	1500	1750	1920	1970	2200	2280	2420
	B	670	670	710	820	860	950	1030	1150	1160	1310	1330	1470
	C	1200	1260	1300	1360	1450	1500	1550	1600	1650	1800	1850	2000
	E	520	520	520	670	670	670	670	670	820	820	820	1070
	F	40	40	40	40	40	40	40	40	70	70	70	70
	Q	125	125	125	125	125	125	125	125	200	200	200	200
	Oil weight (Kg)	100	130	170	210	280	380	480	510	590	800	950	1280
	Total weight (Kg)	440	590	790	1010	1310	1810	2250	2570	2800	4000	4450	6000

## ELECTRICAL CHARACTERISTICS FOR INSULATION LEVEL 36 kV(\*)

Rated Power kVA	50	100	160	250	400	630	800	1000	1250	1600	2000	2500	
Rated primary voltage (dual voltage on request)	25 to 36 kV												
Rated insulation level	36 kV BIL(170/70 kV)												
Losses W	no load losses	230	380	520	780	1120	1450	1700	2000	2360	2800	3300	4100
	load losses at 75 °C	1250	1950	2550	3500	4900	6650	8500	10500	13500	17000	20200	26500
Rated impedance voltage %	4,5	4,5	4,5	4,5	4,5	4,5	6	6	6	6	6	6	
No-load current 100%Vn	3,8	3	2,5	2,4	2,2	1,8	1,6	1,5	1,4	1,3	1,2	1	
Noise level dB(A)	Sound power LwA	52	56	59	62	65	67	68	68	70	71	73	76
	Sound pressure LpA	46	50	53	56	58	60	61	61	62	63	65	68
Approximate Dimensions (mm)	A	910	1050	1190	1220	1350	1500	1750	1920	1970	2200	2280	2420
	B	670	670	710	820	860	950	1030	1150	1160	1310	1330	1470
	C	1330	1390	1440	1510	1580	1620	1670	1730	1780	1930	1980	2150
	E	520	520	520	670	670	670	670	670	820	820	820	1070
	F	40	40	40	40	40	40	40	40	70	70	70	70
	Q	125	125	125	125	125	125	125	125	200	200	200	200
	Oil weight (Kg)	100	130	170	210	280	380	480	510	590	800	950	1280
	Total weight (Kg)	430	580	770	1000	1300	1800	2240	2540	2790	3850	4440	5950

(\*) OTHER CHARACTERISTICS: Consult Imefy.  
NOTE Dimensions may change without prior notice. IMEFY applies a policy of continuous development of its products and reserves the right to make changes in the specifications and technical characteristics without prior notice. The present technical data sheet has no other objective than to give information without any compromise. For further information please contact IMEFY.

Droogbloem 31  
NL-3068 AW Rotterdam  
PO Box: 81005  
NL-3009 GA Rotterdam

Phone: +31 (0)10 286 2000  
Fax: +31 (0)10 286 2005  
E-mail: sales@wesemann.eu  
Website: www.wesemann.eu

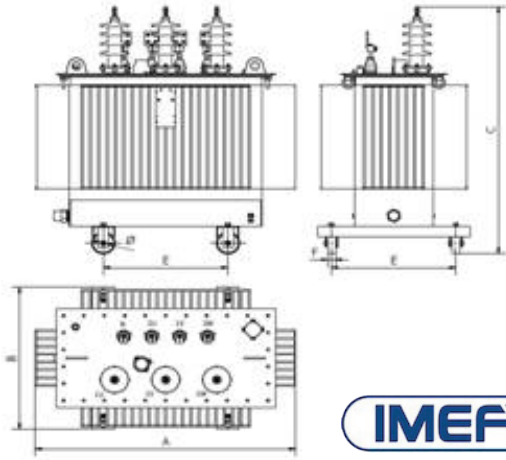
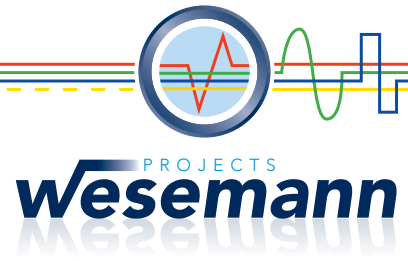


# OIL IMMERSED TRANSFORMERS 5

50 to 2500 kVA (Cu/Cu)

Insulation level ≤ 24 kV and 36 kV

Losses: CkDo (24 kV) / Bk36Bo36 (36 kV)



STANDARDS	
In accordance with standards:	
• IEC 60076-1 // • EN 50464	
COMMON ELECTRICAL CHARACTERISTICS (*)	
Frequency	50 Hz
Vector group	Dyn5 or Dyn11
Primary voltage (at no load)	6 to 36 kV
HV tapping range (off-load)	3 to 7 positions (2,5%)
Secondary voltage (at no load)	380 to 440 V (Ph-Ph)    220 to 254 V (Ph/N)
Ambient temperature (Max.)	40 °C
Altitude above sea level	≤ 1000 m
Routine test (1)	Included
Type test (2)	Optional (quotable)
Special test (3)	Optional (quotable)

## ELECTRICAL CHARACTERISTICS FOR INSULATION LEVEL ≤ 24 kV(\*)

Rated Power kVA	50	100	160	250	400	630	800	1000	1250	1600	2000	2500	
Rated primary voltage (dual voltage on request)	6 to 24 kV												
Rated insulation level	7,2 kV BIL(60/20 kV); 12 kV BIL(75/28 kV); 17,5 kV BIL(95/38 kV) or 24 kV BIL(125/50 kV)												
Losses W	no load losses	145	260	375	530	750	1030	1250	1400	1750	2200	2700	3200
	load losses at 75 °C	1100	1750	2350	3250	4600	6500	8100	10500	13500	17000	20200	26500
Rated impedance voltage %	4	4	4	4	4	4	6	6	6	6	6	6	
No-load current 100%Vn	3,5	2,5	2,3	2	1,8	1,6	1,4	1,3	1,2	1,1	1	0,9	
Noise level dB(A)	Sound power LwA	50	54	57	60	63	65	68	68	70	71	73	76
	Sound pressure LpA	44	48	51	54	56	58	61	61	62	63	65	68
Approximate Dimensions (mm)	A	910	1050	1190	1220	1350	1500	1750	1920	1970	2200	2280	2420
	B	670	670	710	820	860	950	1030	1150	1160	1310	1330	1470
	C	1200	1260	1300	1360	1450	1500	1550	1600	1650	1800	1850	2000
	E	520	520	520	670	670	670	670	670	820	820	820	1070
	F	40	40	40	40	40	40	40	40	70	70	70	70
	Q	125	125	125	125	125	125	125	125	200	200	200	200
	Oil weight (Kg)	110	140	180	220	290	390	480	510	590	800	950	1280
	Total weight (Kg)	460	610	820	1050	1330	1820	2250	2570	2800	4000	4450	6000

## ELECTRICAL CHARACTERISTICS FOR INSULATION LEVEL 36 kV(\*)

Rated Power kVA	50	100	160	250	400	630	800	1000	1250	1600	2000	2500	
Rated primary voltage (dual voltage on request)	25 to 36 kV												
Rated insulation level	36 kV BIL(170/70 kV)												
Losses W	no load losses	190	320	460	650	930	1300	1550	1700	2100	2600	3150	3800
	load losses at 75 °C	1250	1950	2550	3500	4900	6650	8500	10500	13500	17000	20200	26500
Rated impedance voltage %	4,5	4,5	4,5	4,5	4,5	4,5	6	6	6	6	6	6	
No-load current 100%Vn	3,8	3	2,5	2,4	2,2	1,8	1,6	1,5	1,4	1,3	1,2	1	
Noise level dB(A)	Sound power LwA	52	56	59	62	65	67	68	68	70	71	73	76
	Sound pressure LpA	46	50	53	56	58	60	61	61	62	63	65	68
Approximate Dimensions (mm)	A	910	1050	1190	1220	1350	1500	1750	1920	1970	2200	2280	2420
	B	670	670	710	820	860	950	1030	1150	1160	1310	1330	1470
	C	1330	1390	1440	1510	1580	1620	1670	1730	1780	1930	1980	2150
	E	520	520	520	670	670	670	670	670	820	820	820	1070
	F	40	40	40	40	40	40	40	40	70	70	70	70
	Q	125	125	125	125	125	125	125	125	200	200	200	200
	Oil weight (Kg)	110	140	180	220	290	390	480	510	590	800	950	1280
	Total weight (Kg)	430	600	780	1000	1320	1810	2240	2540	2790	3850	4440	5950

(\*) OTHER CHARACTERISTICS: Consult Imefy.  
NOTE Dimensions may change without prior notice. IMEFY applies a policy of continuous development of its products and reserves the right to make changes in the specifications and technical characteristics without prior notice. The present technical data sheet has no other objective than to give information without any compromise. For further information please contact IMEFY.

Droogbloem 31  
NL-3068 AW Rotterdam  
PO Box: 81005  
NL-3009 GA Rotterdam

Phone: +31 (0)10 286 2000  
Fax: +31 (0)10 286 2005  
E-mail: sales@wesemann.eu  
Website: www.wesemann.eu

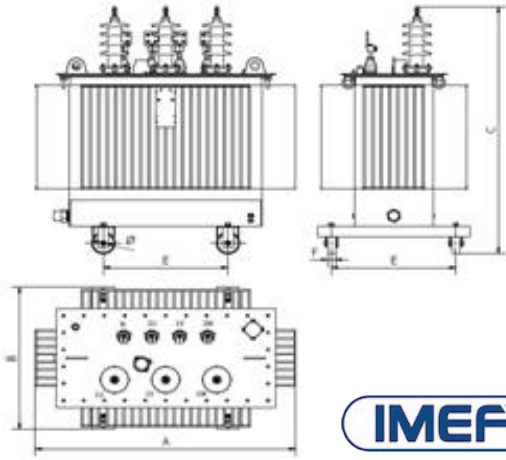


# OIL IMMERSED TRANSFORMERS 6

50 to 2500 kVA (Cu/Cu)

Insulation level ≤ 24 kV and 36 kV

Losses: BkCo (24 kV) / Ak36Ao36 (36 kV)



STANDARDS	
In accordance with standards:	
• IEC 60076-1 // • EN 50464	
COMMON ELECTRICAL CHARACTERISTICS (*)	
Frequency	50 Hz
Vector group	Dyn5 or Dyn11
Primary voltage (at no load)	6 to 36 kV
HV tapping range (off-load)	3 to 7 positions (2,5%)
Secondary voltage (at no load)	380 to 440 V (Ph-Ph)    220 to 254 V (Ph/N)
Ambient temperature (Max.)	40 °C
Altitude above sea level	≤ 1000 m
Routine test (1)	Included
Type test (2)	Optional (quotable)
Special test (3)	Optional (quotable)

## ELECTRICAL CHARACTERISTICS FOR INSULATION LEVEL ≤ 24 kV(\*)

Rated Power kVA	50	100	160	250	400	630	800	1000	1250	1600	2000	2500	
Rated primary voltage (dual voltage on request)	6 to 24 kV												
Rated insulation level	7,2 kV BIL(60/20 kV); 12 kV BIL(75/28 kV); 17,5 kV BIL(95/38 kV) or 24 kV BIL(125/50 kV)												
Losses W	no load losses	125	210	300	425	610	860	930	1100	1350	1700	2100	2500
	load losses at 75 °C	875	1475	2000	2750	3850	5400	7000	9000	11000	14000	18000	22000
Rated impedance voltage %	4	4	4	4	4	4	6	6	6	6	6	6	
No-load current 100%Vn	3,5	2,5	2,3	2	1,8	1,6	1,4	1,3	1,2	1,1	1	0,9	
Noise level dB(A)	Sound power LwA	47	49	52	55	58	60	61	63	64	66	68	71
	Sound pressure LpA	41	43	46	49	51	53	54	55	56	58	60	63
Approximate Dimensions (mm)	A	920	1100	1240	1270	1460	1580	1700	1900	1950	2140	2310	2450
	B	670	680	700	820	820	850	930	1060	1090	1230	1380	1450
	C	1250	1330	1370	1420	1500	1550	1600	1650	1760	1780	1870	1960
	E	520	520	520	670	670	670	670	670	820	820	820	1070
	F	40	40	40	40	40	40	40	40	70	70	70	70
	Q	125	125	125	125	125	125	125	125	200	200	200	200
	Oil weight (Kg)	130	180	210	250	320	410	500	580	750	870	1060	1300
	Total weight (Kg)	520	740	940	1180	1630	2090	2440	3020	3550	4110	4970	6260

## ELECTRICAL CHARACTERISTICS FOR INSULATION LEVEL 36 kV(\*)

Rated Power kVA	50	100	160	250	400	630	800	1000	1250	1600	2000	2500	
Rated primary voltage (dual voltage on request)	25 to 36 kV												
Rated insulation level	36 kV BIL(170/70 kV)												
Losses W	no load losses	160	270	390	550	790	1100	1300	1450	1750	2200	2700	3200
	load losses at 75 °C	1050	1650	2150	3000	4150	5500	7000	8900	11500	14500	18000	22500
Rated impedance voltage %	4,5	4,5	4,5	4,5	4,5	4,5	6	6	6	6	6	6	
No-load current 100%Vn	3,8	3	2,5	2,4	2,2	1,8	1,6	1,5	1,4	1,3	1,2	1	
Noise level dB(A)	Sound power LwA	50	54	57	60	63	65	66	67	68	69	71	73
	Sound pressure LpA	44	48	51	54	56	58	59	59	60	61	63	65
Approximate Dimensions (mm)	A	900	1100	1250	1290	1360	1480	1720	1800	2000	2190	2340	2430
	B	670	670	740	820	820	820	930	1010	1160	1330	1410	1460
	C	1380	1450	1500	1550	1650	1700	1750	1830	1900	1950	2000	2100
	E	520	520	520	670	670	670	670	670	820	820	820	1070
	F	40	40	40	40	40	40	40	40	70	70	70	70
	Q	125	125	125	125	125	125	125	125	200	200	200	200
	Oil weight (Kg)	110	160	200	240	300	370	480	540	730	830	1050	1290
	Total weight (Kg)	450	630	880	1080	1430	1870	2260	2620	3300	3900	4830	5990

(\*) OTHER CHARACTERISTICS: Consult Imefy.  
NOTE Dimensions may change without prior notice. IMEFY applies a policy of continuous development of its products and reserves the right to make changes in the specifications and technical characteristics without prior notice. The present technical data sheet has no other objective than to give information without any compromise. For further information please contact IMEFY.

Droogbloem 31  
NL-3068 AW Rotterdam  
PO Box: 81005  
NL-3009 GA Rotterdam

Phone: +31 (0)10 286 2000  
Fax: +31 (0)10 286 2005  
E-mail: sales@wesemann.eu  
Website: www.wesemann.eu

